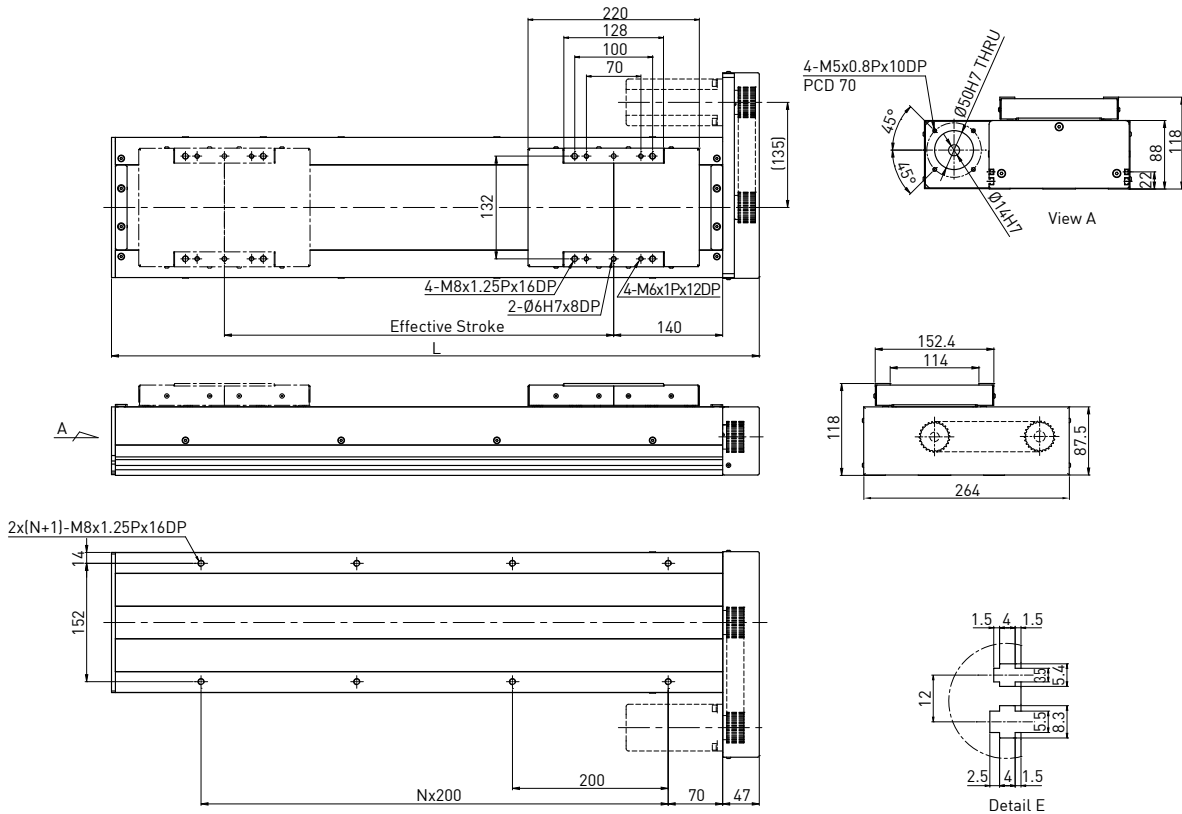
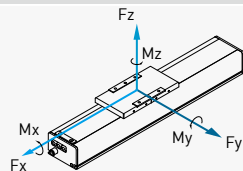


4.3.13 Model Number for KS180-FR

| KS180 | -20 | P | -1200 | A | FR | U | S1 | M | V |
|-------|--------------|---------------------------------|------------------|----------------|--------------|--|---|--|---|
| Model | Lead | Precision Grade | Effective Stroke | Slider Type | Motor Flange | Cover | Limit Switch | Motor | Installation |
| | 10mm 20mm | P: Precision C: Normal | | A: Standard | FR: Right | U: Without Cover None: Standard Cover | S1: OMRON SX671 None: Without Sensor | M: Supplied With Motor None: Without Motor | V: Vertical Install None: Horizontal Install |



| Effective stroke (mm) | L | N | Weight (kg) | AC motor output Ball screw / Drive | W | 400 | |
|-----------------------------|------|---|-------------|--|-----------------|----------|-------|
| 200 | 532 | 1 | 11.3 | Lead | mm | 10 | 20 |
| 300 | 632 | 2 | 12.3 | Max linear speed* | mm/sec | 400 | 800 |
| 400 | 732 | 2 | 13.3 | Max RPM | RPM | 2400 | 2400 |
| 500 | 832 | 3 | 14.3 | Rated thrust | N | 936 | 468 |
| 600 | 932 | 3 | 15.3 | Repeatability | mm | ±0.02 | |
| 700 | 1032 | 4 | 16.3 | Effective stroke | mm | 200~1200 | |
| 800 | 1132 | 4 | 17.3 | Rated dynamic load** | F _{yd} | N | 1647 |
| 900 | 1232 | 5 | 18.3 | | F _{zd} | N | 3892 |
| 1000 | 1332 | 5 | 19.3 | | M _{xd} | N-m | 227.7 |
| 1100 | 1432 | 6 | 20.3 | | M _{yd} | N-m | 132.3 |
| 1200 | 1532 | 6 | 21.3 | | M _{zd} | N-m | 132.3 |
| Permitted load condition*** | | | | $\frac{F_y}{F_{yd}} + \frac{F_z}{F_{zd}} + \frac{M_x}{M_{xd}} + \frac{M_y}{M_{yd}} + \frac{M_z}{M_{zd}} \leq 1$ F _y , F _z , M _x , M _y , M _z are working loads | | | |



* Vibration might occur when the effective stroke is longer than 700mm.
 The maximum speed should be decreased by 15% for every 100mm of increased stroke.
 ** The load condition is based on 10,000km operation.
 *** If used on the vertical axis or in a special condition, please contact HIWIN.