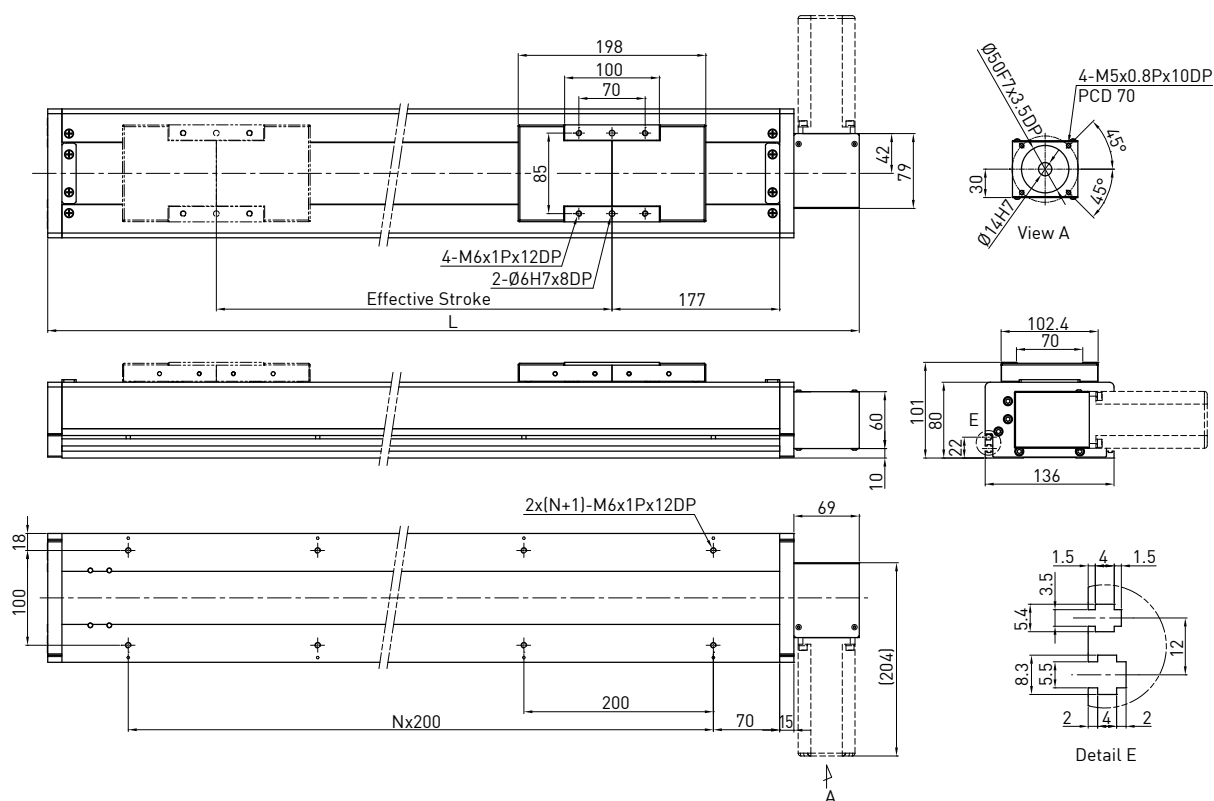
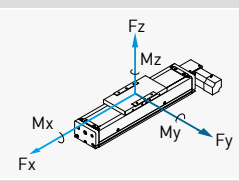


4.3.10 Model Number for KS140B-FR

KS140	B	-120	C	-3000	A	FR	U	S1	M
Model	Timing Belt	Lead	Precision Grade	Effective Stroke	Slider Type	Motor Flange	Cover	Limit Switch	Motor
			C: Normal		A: Standard	FR: Right	U: Without Cover None: Standard Cover	S1: OMRON SX671 None: Without Sensor	M: Supplied With Motor None: Without Motor



Effective stroke (mm)	L	N	Weight (kg)	AC motor output	W	200													
				Timing Belt / Drive		HTD 5M/HGH15CA													
200	639	2	10.4	Lead	mm	120													
400	839	3	12.6	Max linear speed	mm/sec	1800													
600	1039	4	14.8	Rated thrust	N	66													
800	1239	5	17.0	Repeatability	mm	±0.1													
1000	1439	6	19.2	Effective stroke	mm	200~3000													
1200	1639	7	21.4	<div style="display: flex; align-items: center;">  <table border="1" style="margin-left: 20px;"> <tr> <td>Fyd</td> <td>N</td> <td>1709</td> </tr> <tr> <td>Fzd</td> <td>N</td> <td>3892</td> </tr> <tr> <td>Mxd</td> <td>N-m</td> <td>171.2</td> </tr> <tr> <td>Myd</td> <td>N-m</td> <td>132.3</td> </tr> <tr> <td>Mzd</td> <td>N-m</td> <td>132.3</td> </tr> </table> </div>	Fyd	N	1709	Fzd	N	3892	Mxd	N-m	171.2	Myd	N-m	132.3	Mzd	N-m	132.3
Fyd	N	1709																	
Fzd	N	3892																	
Mxd	N-m	171.2																	
Myd	N-m	132.3																	
Mzd	N-m	132.3																	
1400	1839	8	23.6	$\frac{F_y}{F_{yd}} + \frac{F_z}{F_{zd}} + \frac{M_x}{M_{xd}} + \frac{M_y}{M_{yd}} + \frac{M_z}{M_{zd}} \leq 1$ <p>Fy, Fz, Mx, My, Mz are working loads</p>															
1600	2039	9	25.8																
1800	2239	10	28.0																
2000	2439	11	30.2																
2200	2639	12	32.4																
2400	2839	13	34.6	<p>Permitted load condition**</p>															
2600	3039	14	36.8																
2800	3239	15	39.0																
3000	3439	16	41.2																

*The load condition is based on 10,000km operation.

**For horizontal application only. If used in special condition, please contact HIWIN.