

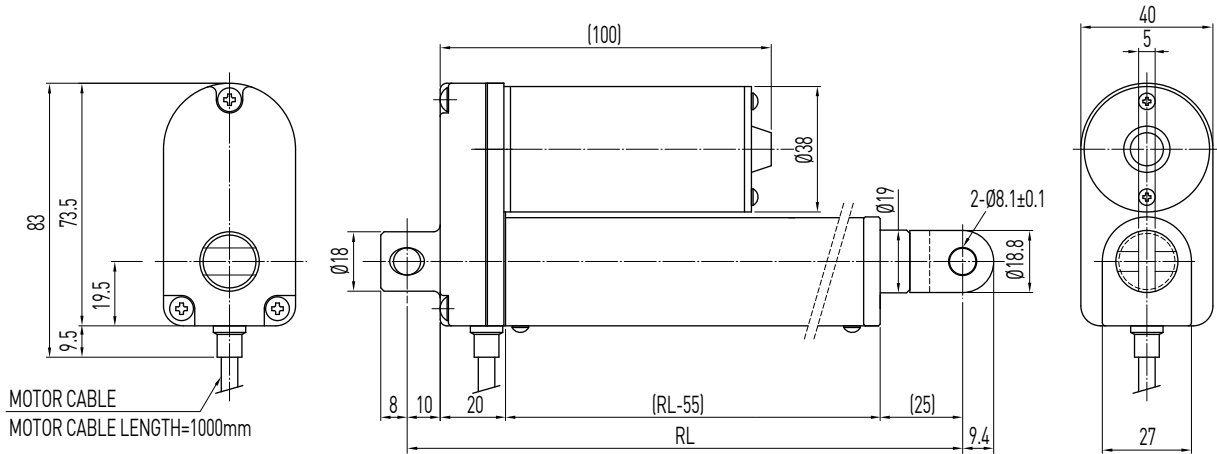
# Linear Actuator

LAS Series

www.antrieb.ru

## 10. HIWIN LAS Series (1)

LAS1



- RL = S+119  
Stroke ≤ 250
- RL = S+169  
Stroke > 250
- RL : Retracted length
- S : Stroke length

Table 10.1 Specifications

Screw type	ACME
Weight*	1.04kg
Protection	IP54
Compatible controller	Compatible with all controllers (*Notice the type of connector: Audio/DIN 4pin)
Working temp.	+5°C~40°C

\* Stroke length 200mm

### Option:

- (1) IP65
- (2) Back fixture turned 90
- (3) Rod end with flat connector  
(RL=S+110, S ≤ 250 / RL=S+160, S > 250)
- (4) 36VDC motor
- (5) External reed switches
- (6) Plastic gear (Max. load: 800N)
- (7) Plug : DIN 4PIN plug / Stereo plug / Mono plug

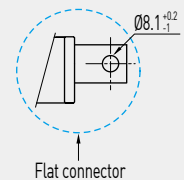
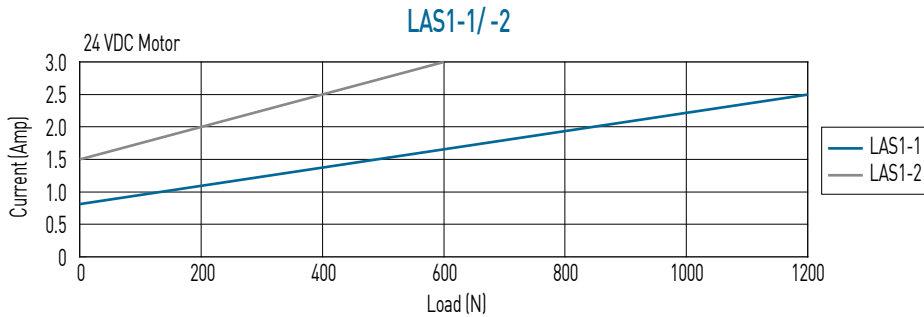
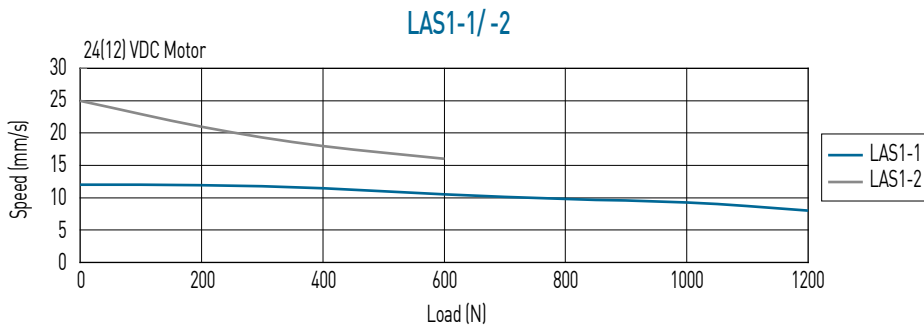


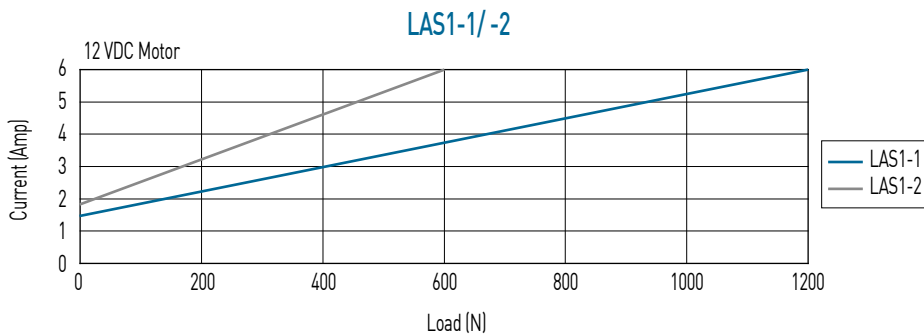
Table 10.2 LAS1 Specifications

Model	Thrust max. (N)	Pulling max. (N)	Holding max. (N)	Speed (mm / s) Load = Max. / Load = 0	Standard stroke (mm) : S					Duty cycle %	Current max. (A)	
					50	100	150	200	250		12VDC	24VDC
LAS1-1	1200	1200	800	8 / 12	50	100	150	200	250	10	6	2.5
LAS1-2	600	600	300	16 / 25	50	100	150	200	250	10	6	3

\*Min. input power = Voltage x Current max.



\*\*Note: The test results are obtained by using the 24VDC power supply.



\*\*Note: The test results are obtained by using the 12VDC power supply.

### Ordering Information

